

4

3

2

DWG NO	-	SH	-	REV	-
REVISIONS					
ZONE	REV	DESCRIPTION	DATE	APPROVED	
-	-	-	-	-	

C9300-24S-A



Vindicator Part Number:
578-37101-01
Vindicator Description:
Network Switch L3 Managed 24 x Gigabit SFP RM

Vindicator Part Number:
578-37103-01
Vindicator Description:
Network Switch L3 Managed 48 x Gigabit SFP RM

C9300-24S-A & C9300-48S-A Options:

SFP – RJ45
SFP – MM
SFP – SM
Uplink Port
DNA Lic. 24 Port 3yrs.
DNA Lic. 48 Port 3yrs.

C9300-24T-A



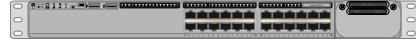
Vindicator Part Number:
578-37102-01
Vindicator Description:
Network Switch L3 Managed 24 x 10/100/1000 RM

Vindicator Part Number:
578-37104-01
Vindicator Description:
Network Switch L3 Managed 48 x 10/100/1000 RM

C9300-24T-A & C9300-48T-A Options:

SFP – RJ45 – For Uplink
SFP – MM – For Uplink
SFP – SM – For Uplink
Uplink Port
DNA Lic. 24 Port 3yrs.
DNA Lic. 48 Port 3yrs.

C9300-24P-A (POE)



Vindicator Part Number:
578-37134-01
Vindicator Description:
Network Switch L3 Managed 24 x 10/100/1000 RM PoE+

C9300-24P-A Options:

SFP – RJ45 – For Uplink
SFP – MM – For Uplink
SFP – SM – For Uplink
Uplink Port
DNA Lic. 24 Port 3yrs.
DNA Lic. 48 Port 3yrs.

C9300-NM-4G



VT P/N - 578-37105-01 / Network Switch Uplink Module Gigabit SFP x 4

SFP – GLC-TE++=



VT P/N - 578-37136-01 / SFP Mini-GBIC Trans Mod Gig-E RJ45 TAA

SFP – GLC-SX-MMD++=



VT P/N - 578-37138-01 / SFP Mini-GBIC Trans Mod Gig-E MM TAA

SFP – GLC-LH-SMD++=



VT P/N - 578-37137-01 / SFP Mini-GBIC Trans Mod Gig-E SM TAA

DNA LIC. 24 Port 3yrs

VT P/N - 578-37106-01 / Network Switch DNA License 24 Ports 3 Years

DNA LIC. 48 Port 3yrs

VT P/N - 578-37106-02 / Network Switch DNA License 48 Ports 3 Years

Most Common use for the Switch:

C9300-24T-A Headend (BDOC)

C9300-24T-A Field.

C9300-24P-A Field Cameras.

C9300-24S-A ITN Rooms, or for field location we network runs from the PCU/ACP are longer than 100M.

Honeywell/Vindicator Internal Use Only

CONTRACT NO		Honeywell	
DWN BY	JOEY WEBB	CHK BY	
3019 Alvin Devane Blvd., Bldg 4, Suite 430 Austin TX 78741			
DATE	7/13/2020	SIZE	17 X 11
CISCO 9300			
SCALE	Not to Scale	WEIGHT	
FSCM NO		DWG NO	EY-400
REV	1.1	SHEET	1 OF 2
This print is and remains the property of Vindicator Technologies, Inc.			

4

3

2

1

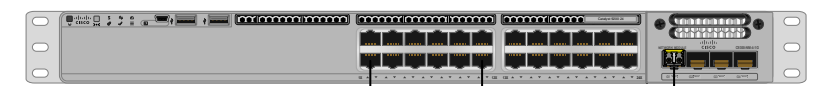
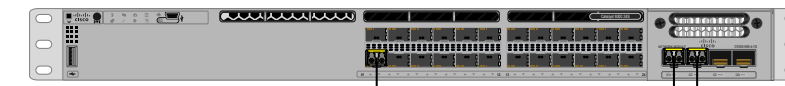
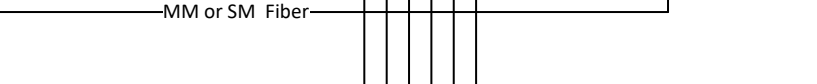
DWG NO	-	SH	REV	
REVISIONS				
ZONE	REV	DESCRIPTION	DATE	APPROVED
-	-	-	-	-

Headend - A
C9300-24T-A

Uplink Ports

Field
C9300-24T-A

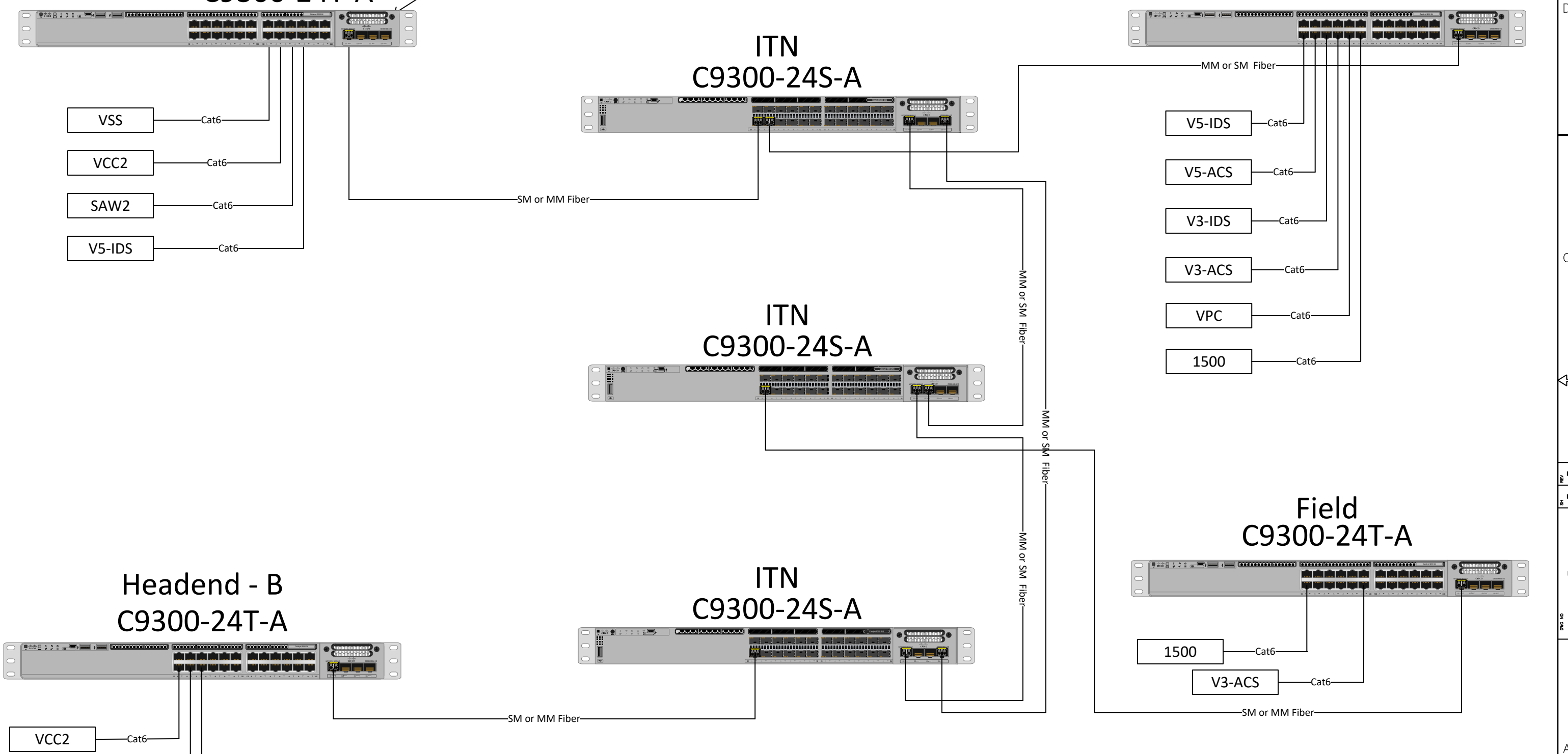
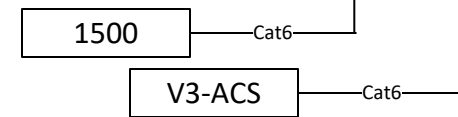
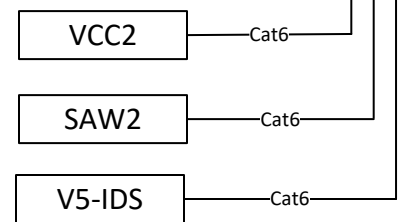
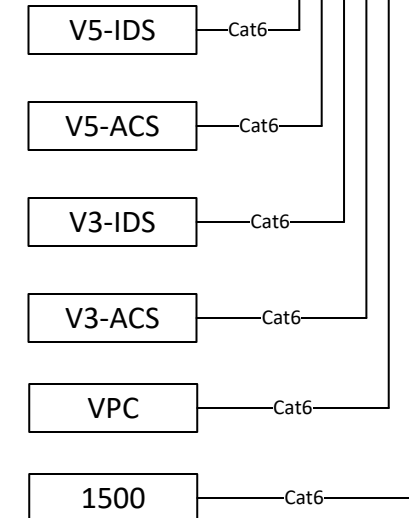
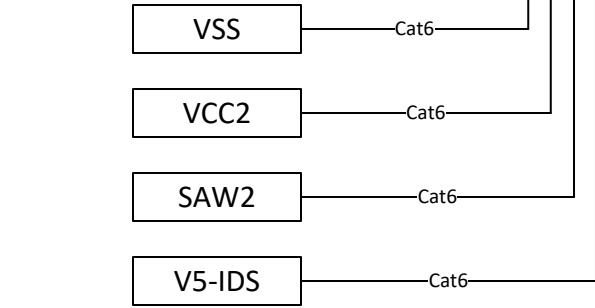
ITN
C9300-24S-A



Headend - B
C9300-24T-A

ITN
C9300-24S-A

Field
C9300-24T-A



Honeywell/Vindicator Internal Use Only

CONTRACT NO		Honeywell VINDICATOR TECHNOLOGIES, INC. 3019 Alvin Devane Blvd., Bldg 4, Suite 430 Austin TX 78741	
DWN BY JOEY WEBB	CHK BY		
DATE 7/13/2020	SIZE 17 X 11	CISCO 9300 HEADEND / FIELD LAYOUT	
SCALE Not to Scale	WEIGHT		
FSCM NO	DWG NO EY-401	REV 1.1	SHEET 2 OF 2
This print is and remains the property of Vindicator Technologies, Inc.			